



AIR VALVES EXTRACTION

BEC SERIES

BEC

Sheet metal air valve extraction



DIFUSIÓN Y VENTILACIÓN

BEC SERIES

BEC

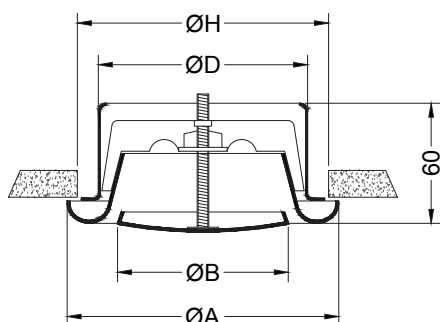
AIR VALVE EXTRACTION



Model **BEC**. Sheet metal air valve extraction

Suitable for mounting in false ceilings or laminated plaster ceilings.
Made of metal sheet.
Flow regulation by means of a central valve.

BEC



	Ø D	Ø A	Ø B	Ø H
BEC 100	98	140	78	110
BEC 125	123	163	99	135
BEC 150	148	198	119	160
BEC 200	198	248	157	210

DESCRIPTION

Air valve, type BEC. With dimensions Ø 100.

Order form:

BEC

Ø 100

Air valve extraction series: **Dimensions Ø:**

BEC

100



BEC SERIES

BEC

SELECTION TABLE

Legend:

Q = Flow rate

S = Valve position

Pt = Pressure drop in Pa

LwA = Sound power level in dB(A)

∅ 100

Q (m ³ /h) (l/s)	S	-8	-6	-4	-2	0	2	4	6	8
25 6,9	Pt LwA	64 18	37 16	23 14	15 13					
50 13,9	Pt LwA	258 32	152 28	94 24	60 22	41 20	29 18			
75 20,8	Pt LwA			213 33	137 30	92 27	65 25	48 23	37 21	
100 27,8	Pt LwA			380 42	245 37	165 34	116 31	85 28	66 26	53 25
125 34,7	Pt LwA				384 44	259 40	182 36	134 34	103 31	83 30
150 41,7	Pt LwA					374 46	263 42	194 39	149 36	120 34

∅ 125

Q (m ³ /h) (l/s)	S	-12	-9	-6	-3	0	3	6	9	12
50 13,9	Pt LwA	85 24	45 19	25 15	15 13					
75 20,8	Pt LwA	190 37	100 29	57 24	34 20	22 16				
100 27,8	Pt LwA		178 40	101 33	61 27	40 22	28 19			
125 34,7	Pt LwA			157 42	95 34	62 28	43 24	33 20		
150 41,7	Pt LwA				137 42	89 35	62 29	47 25	38 21	
200 55,6	Pt LwA					158 47	111 40	83 34	67 29	58 25

BEC SERIES

BEC

SELECTION TABLE

Ø 150

Q (m ³ /h) (l/s)	S	-12	-9	-6	-3	0	3	6	9	12
100 27,8	Pt LwA	151 34	92 29	59 24	39 20					
150 41,7	Pt LwA		210 44	133 37	88 31	60 26	43 23	32 20		
200 55,6	Pt LwA			239 49	158 42	108 36	77 31	57 27	43 23	34 20
250 69,4	Pt LwA					170 45	121 39	89 33	68 29	54 26
300 83,3	Pt LwA						174 47	129 40	99 35	78 31
350 97,2	Pt LwA							176 47	135 41	107 37

Ø 200

Q (m ³ /h) (l/s)	S	-16	-12	-8	-4	0	4	8	12	16
150 41,7	Pt LwA	97 28	55 23	32 19						
200 55,6	Pt LwA	174 37	99 30	58 25	36 20					
250 69,4	Pt LwA	273 46	155 37	91 31	56 25	35 21				
300 83,3	Pt LwA		224 44	132 36	81 30	51 25	34 21			
375 104,2	Pt LwA			208 45	127 37	81 31	53 26	36 22		
400 125	Pt LwA			301 54	184 45	117 37	77 31	52 26	37 22	27 19

SIMBOLOGY

TECHNICAL ICONS



SUPPLY



RETURN



SWIRL



MULTIDIRECTIONAL



LONG RANGE



ACCESSORIES



SQUARED



ROUND



LINEAR



FIX



ADJUSTABLE



CEILING



FALSE CEILING



WALL



FLOOR



TRANSIT



DUCT



OUTER/EXTERNAL



FIRE



DAMP



SMOKE





SAMOVENT TECHNIK®

T. 961 061 876

Acequia Mislata 12. 46200.
Paiporta. Valencia

www.samovent.com